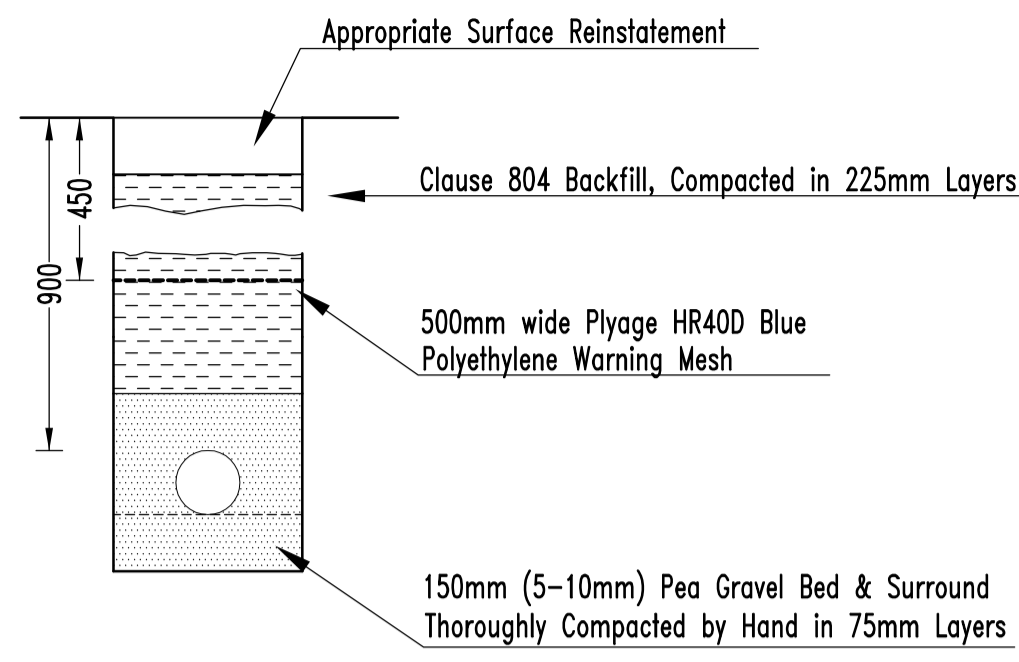


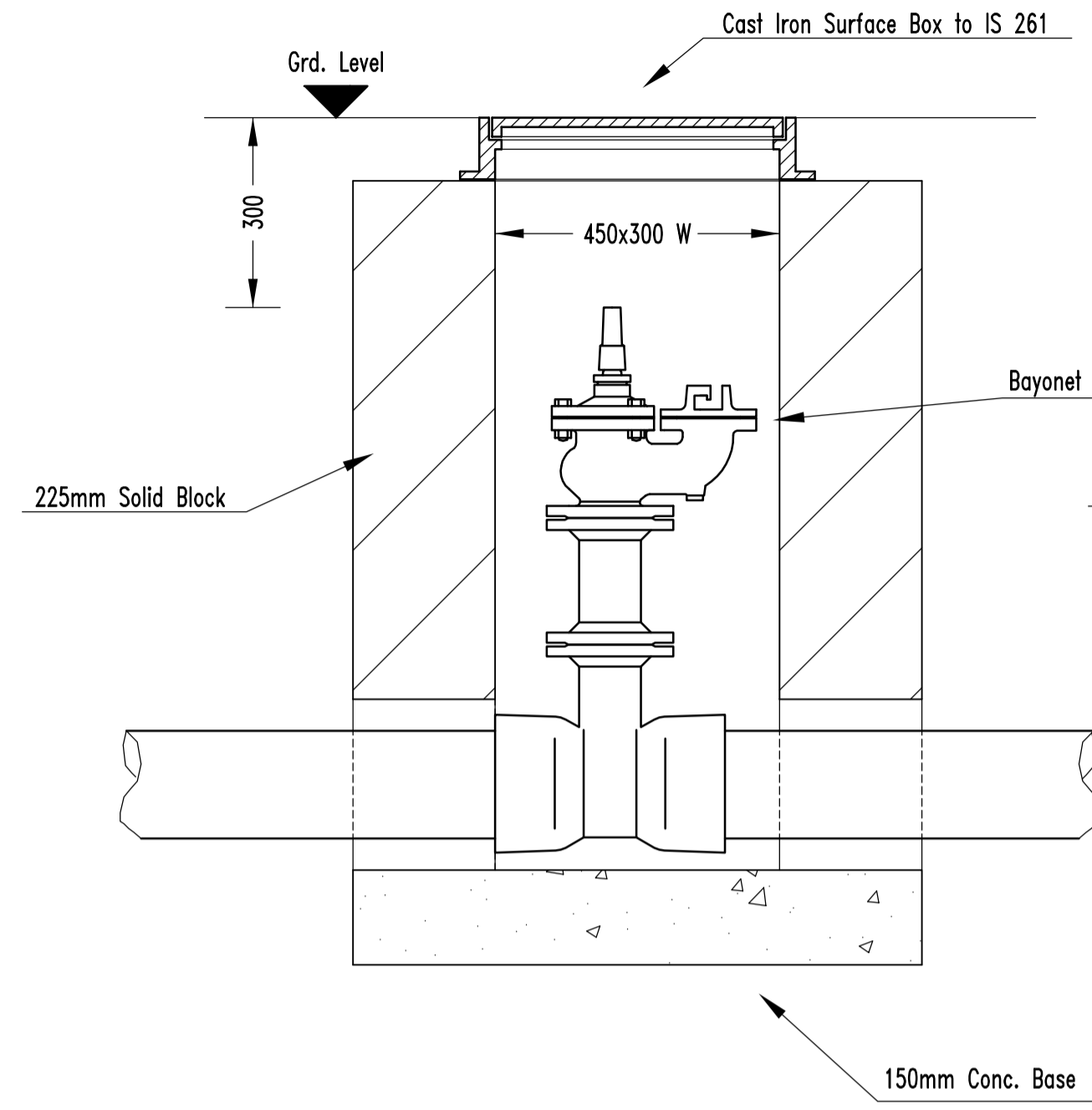
Note: Use Medium Duty Surface Boxes in Grassed Areas, Heavy Duty in Trafficked Areas



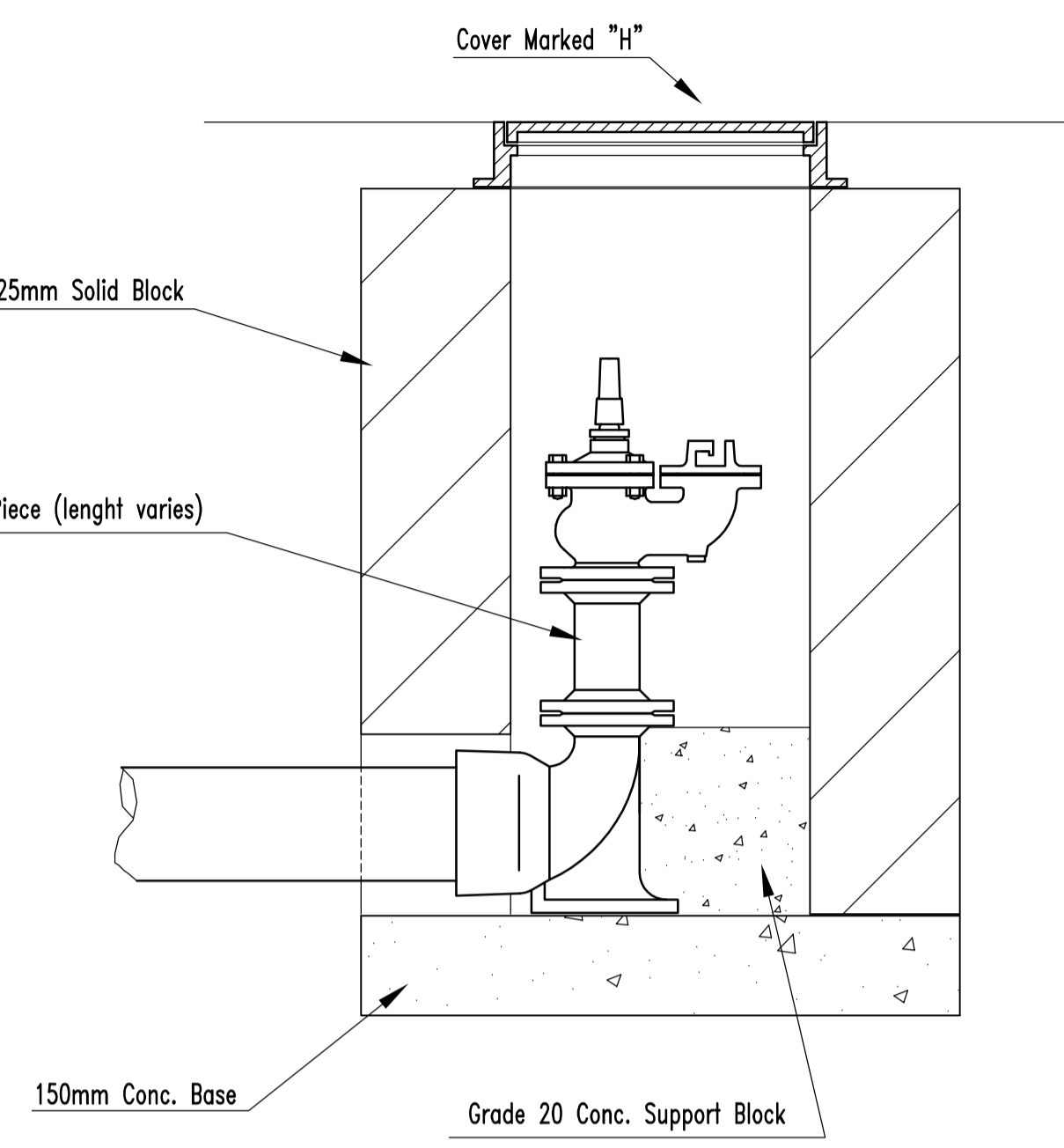
Pipe $\phi$	Trench Width
100	450
150	500
200	550
225	600
250	650
300	700

Note:  
In Rock or Mixed Soils Containing Rock Bands, Boulders, Large Flints, Stones or other Irregular Hard Spots the Depth of the Bed is to be 200mm.

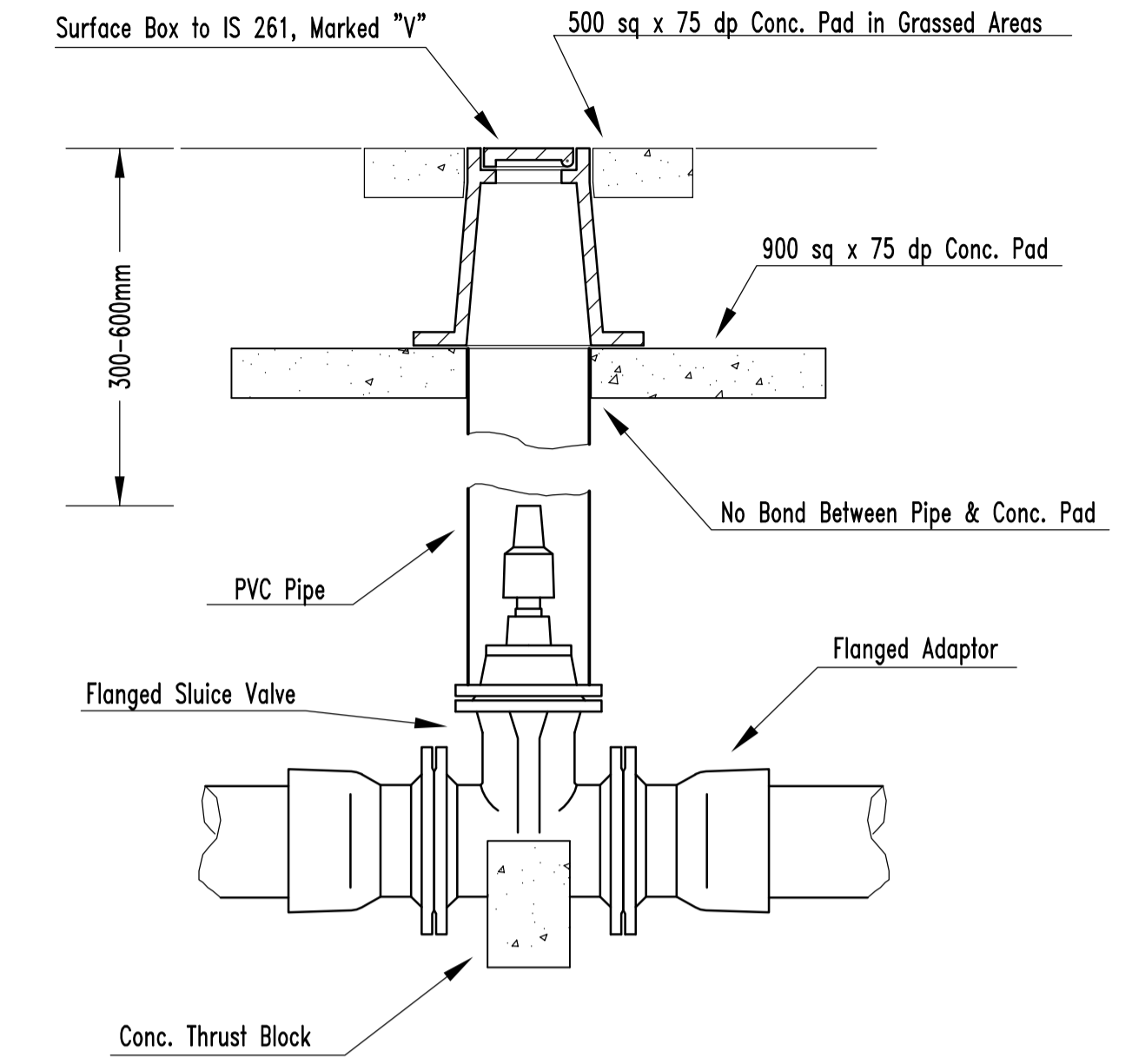
Watermain Trench Detail



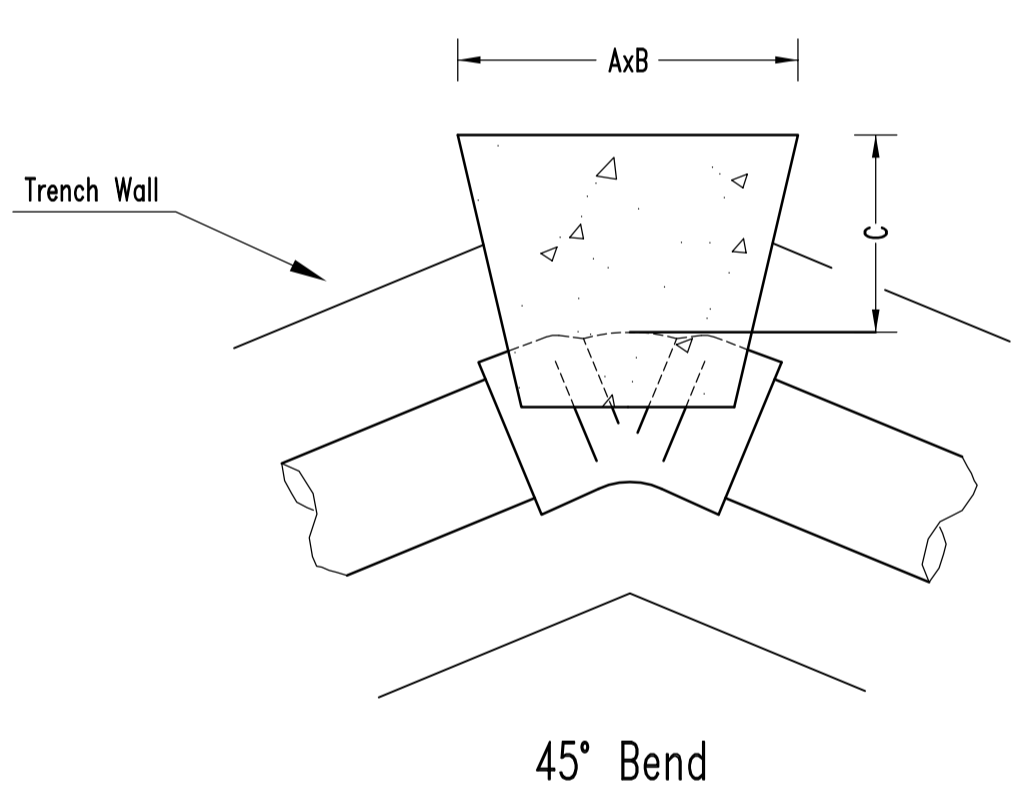
Detail of Fire Hydrant



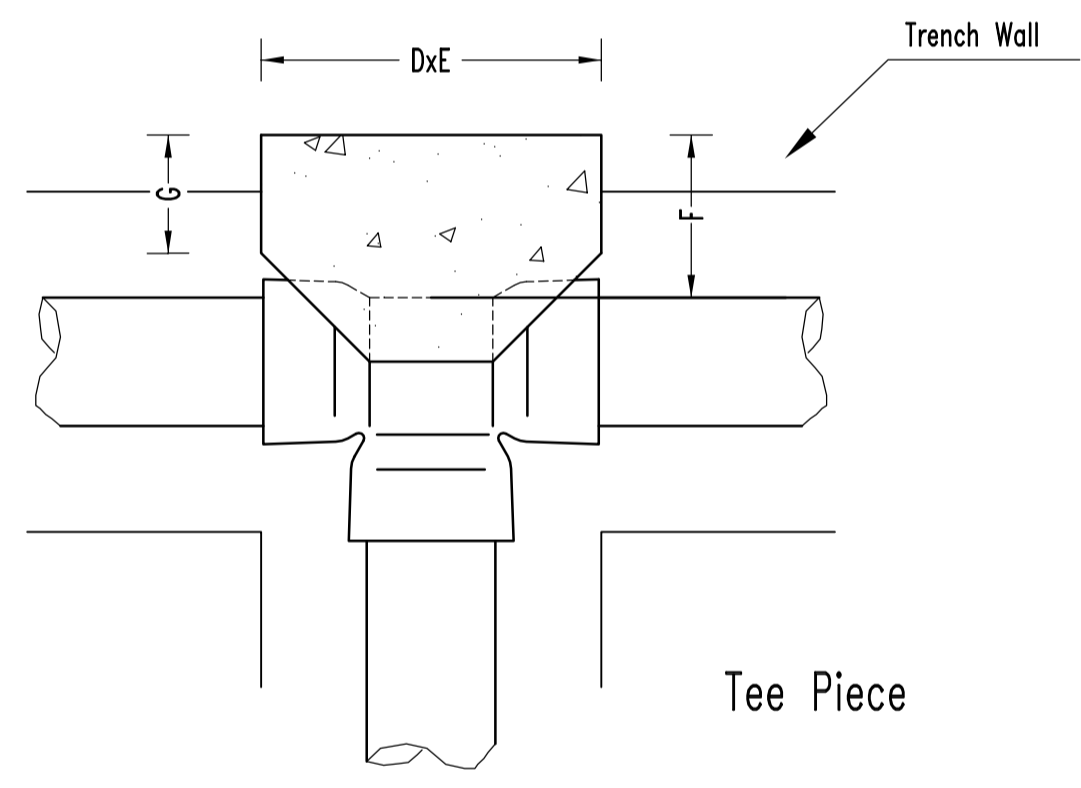
Detail of Duckfoot Fire Hydrant



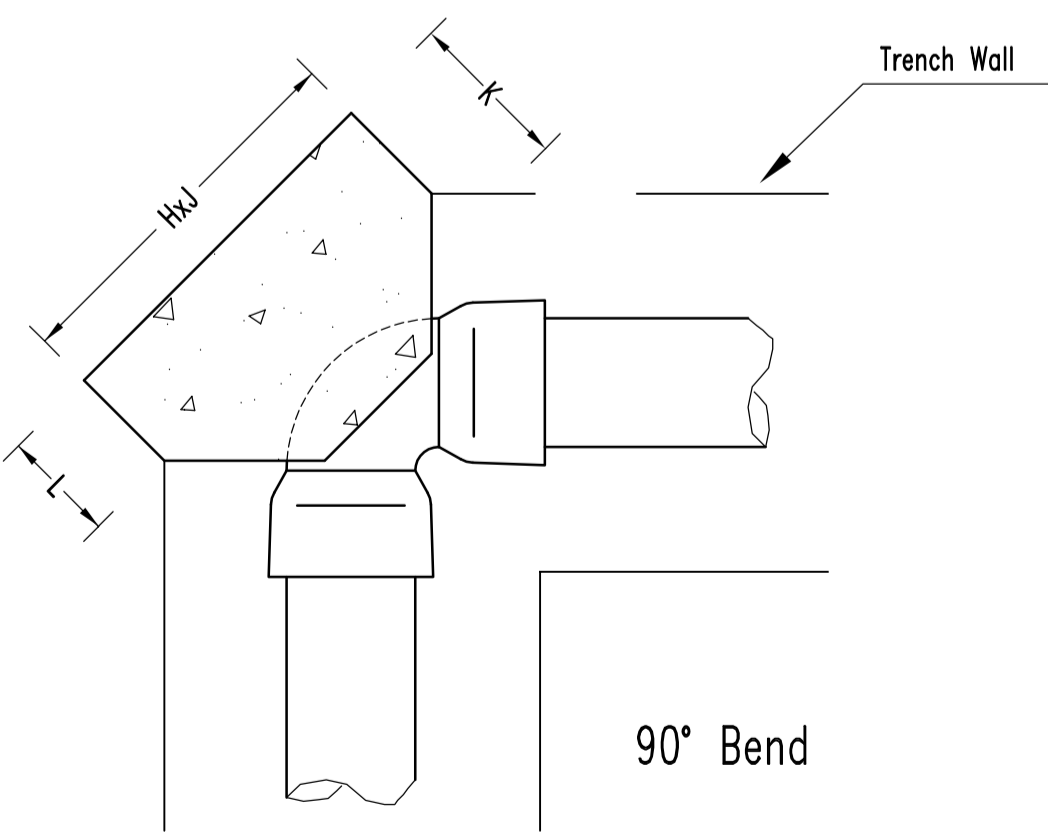
Detail of Sluice Valve



45° Bend



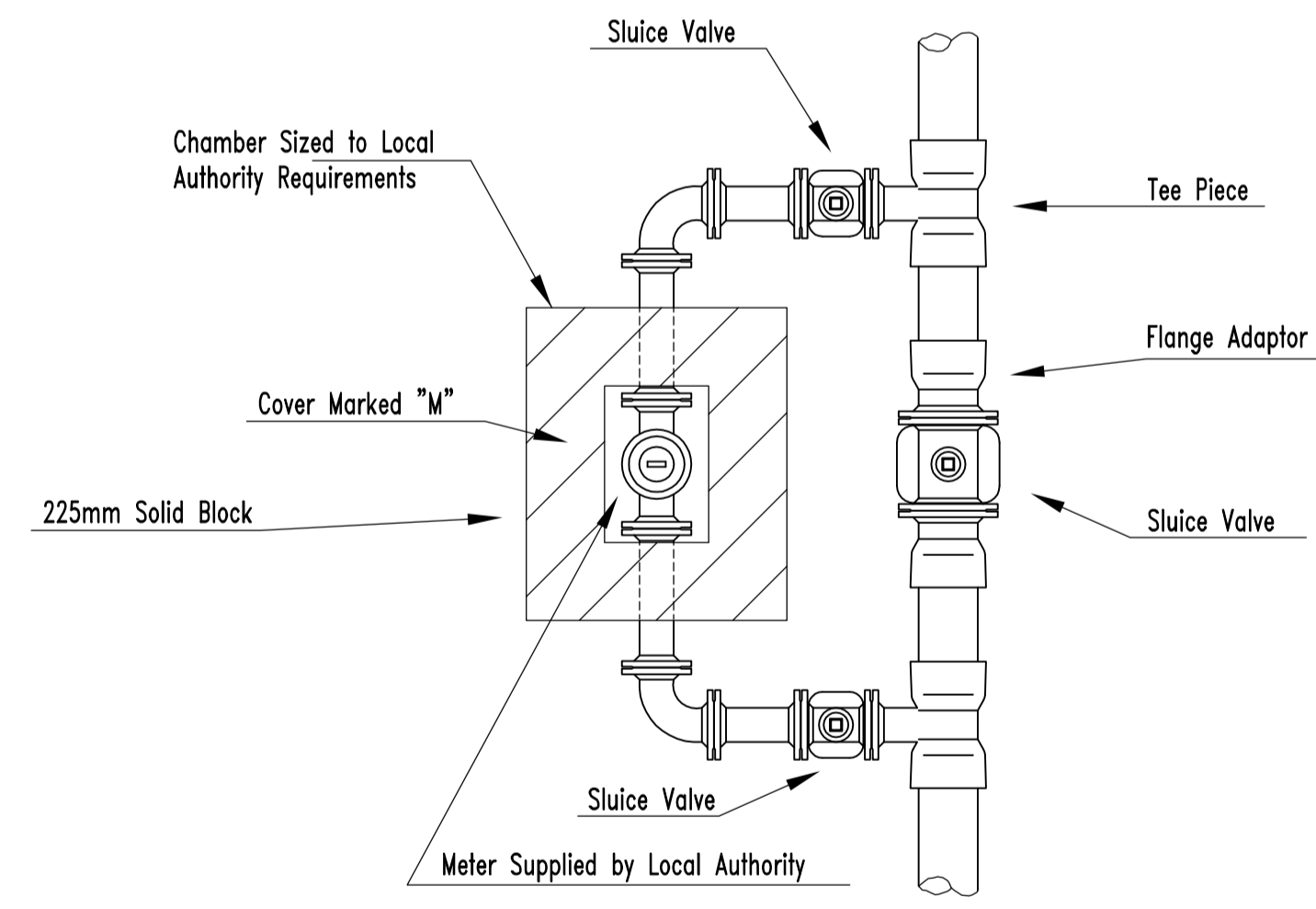
Tee Piece



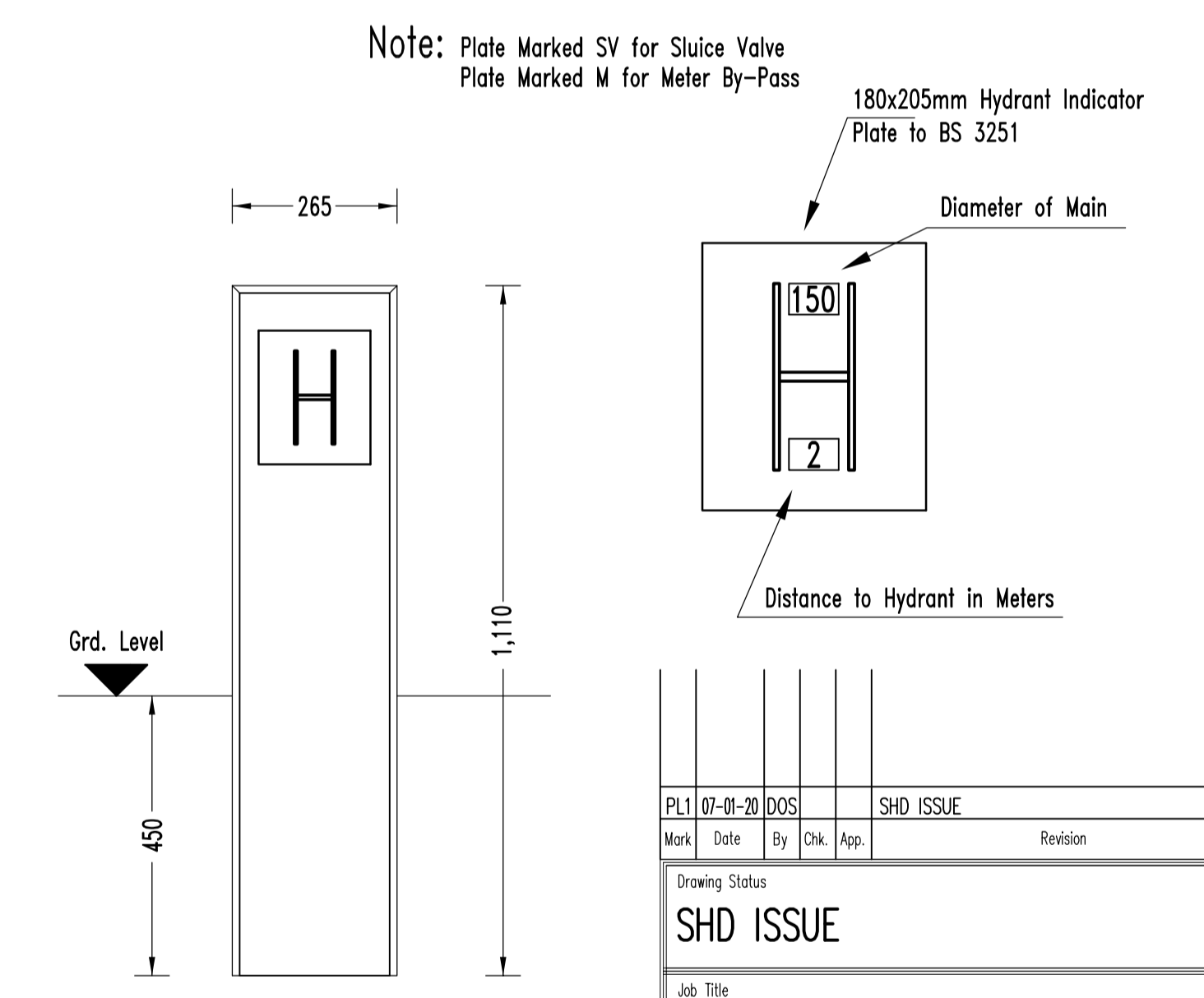
90° Bend

Pipe $\phi$	45° Bend			Tee Piece			90° Bend		
	AxB	C	DxE	F	G	HxJ	K	L	
150	700x500	360	890x500	250	150	1250x500	250	150	
200	890x700	350	1170x700	350	170	1650x700	320	200	

Thrust Block Details



Detail of Water Meter By-Pass



Detail of Conc. Indicator Posts

Note: Plate Marked SV for Sluice Valve  
Plate Marked M for Meter By-Pass

PL1	07-01-20	DOS								SHD ISSUE
Mark	Date	By	Chk.	App.	Revision					
Drawing Status										
SHD ISSUE										
Job Title										
RESIDENTIAL DEVELOPMENT AT CASTLEPARK DALKEY, Co. DUBLIN.										
Drawing Title										
WATERMAIN DETAILS										
Architect/Client										
CURVE DEVCO LIMITED										
KAVANAGH BURKE CONSULTING ENGINEERS										
Tel. 01 - 450 0694			Unit G3, Calmount Pk.							
Fax. 01 - 426 4340			Ballymount, Dublin 12.							
Email: pkavanagh@kavanaghburke.ie										
D <sup>th</sup> DOS		Checked		Approved						
Scales NTS				Date 06-12-19						
Job No. D1521			Drawing No. D6			Rev. PL1				